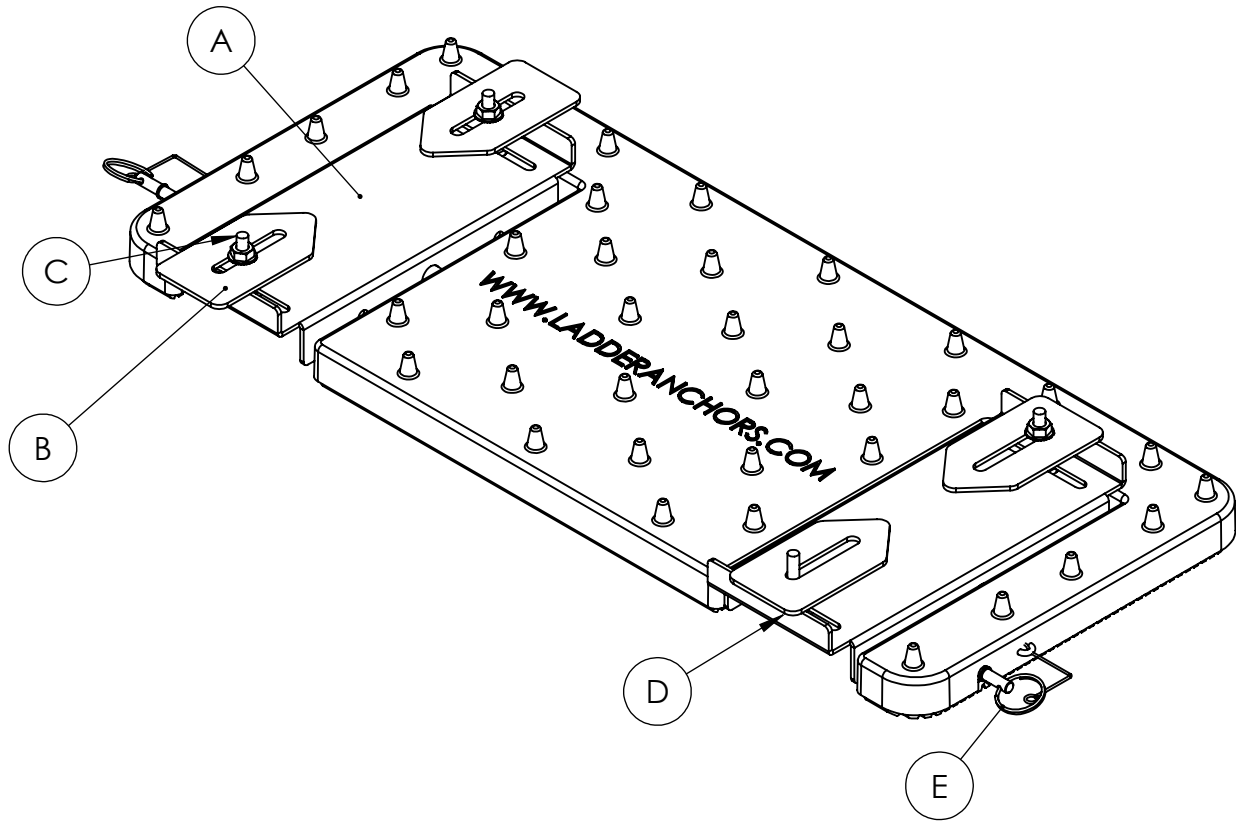
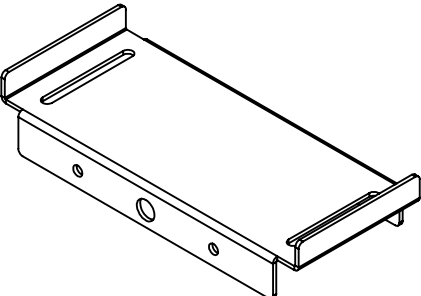
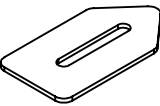


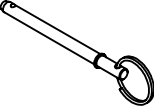


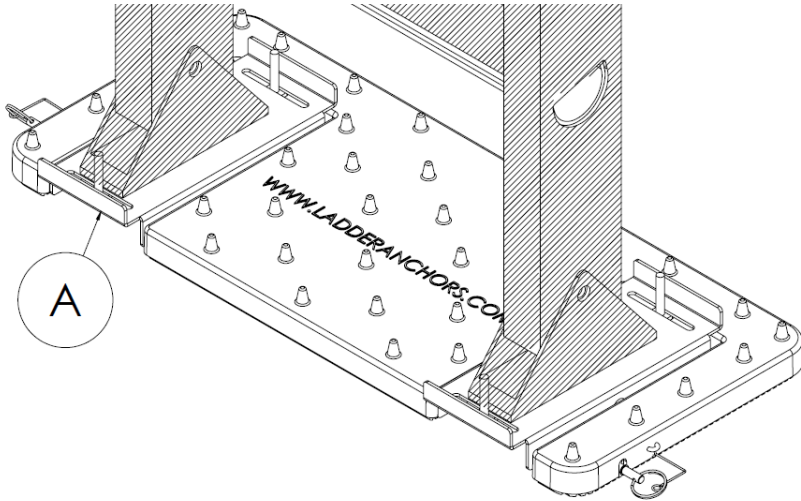
## PARTS LIST



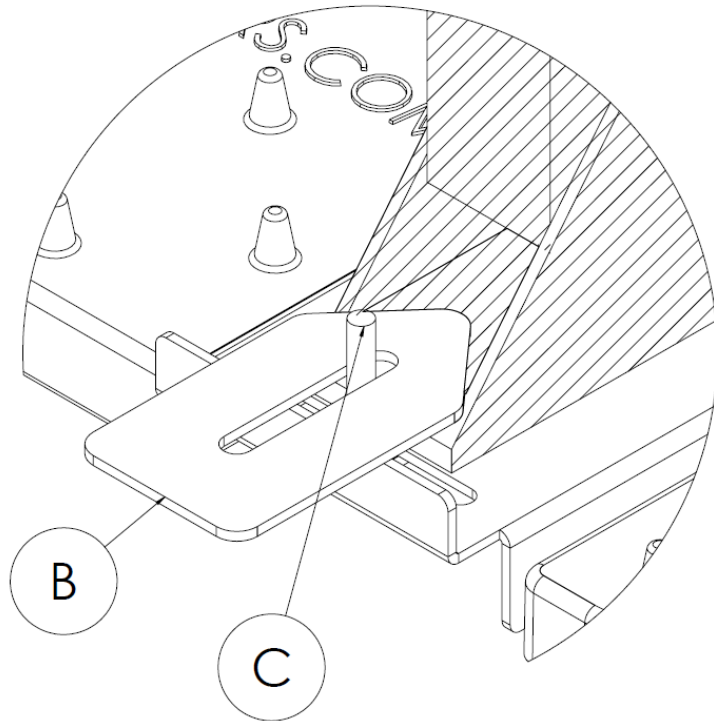
ITEM	NAME	QTY.	
A	ROTATING MOUNT	2	
B	RETAINING PLATE	4	
C	THREADED STUDS PLATE	2	
D	NUT	4	
E	PIN	2	

## Install Instructions

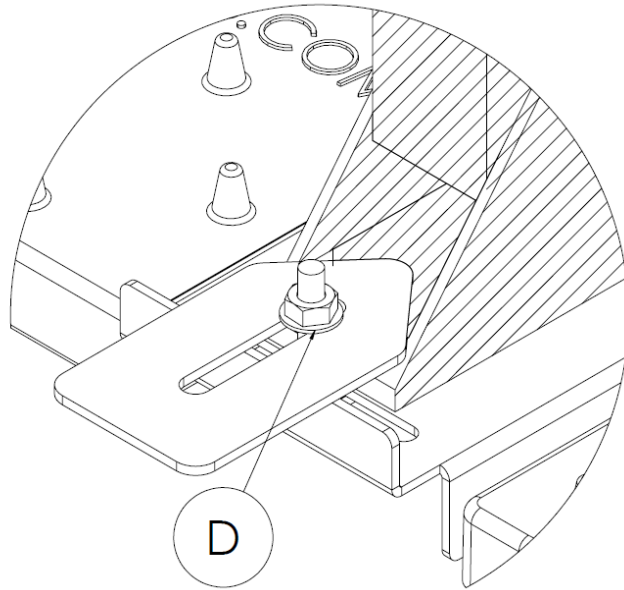
1. Place the shoes of your ladder on top of the LadderAnchor rotating mounts. Center your ladder shoes on both mounts.



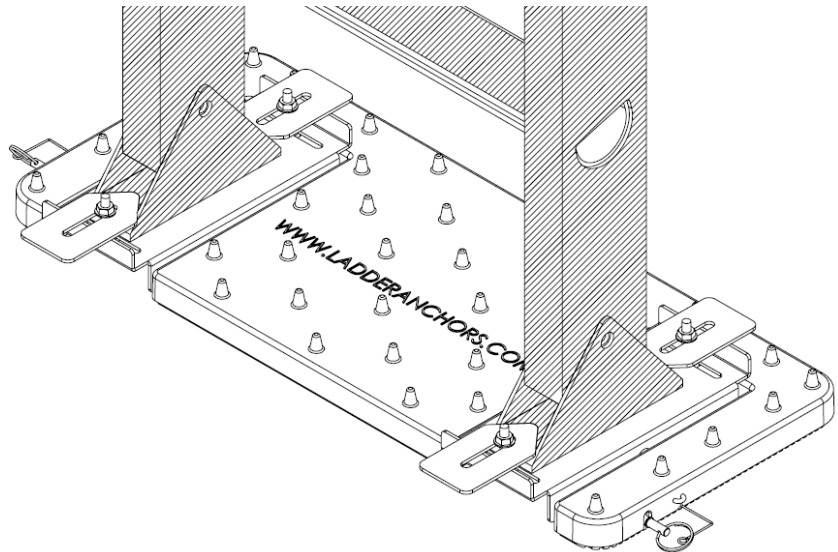
2. Place a retaining plate on top of your ladder shoe, so that the threaded studs are in the retaining plate slot. Center the angled section of the retaining plate in the shoe. Insert the retaining plate as far as possible into your ladder shoe.



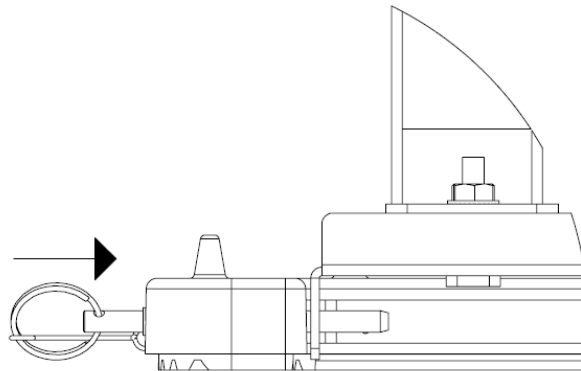
3. Thread the nut onto the stud to tighten the retaining plate down, clamping your ladder to the LadderAnchor. Tighten using a wrench.



4. Repeat Step 3 for all four threaded studs on the LadderAnchor.



5. Always ensure that both pins are completely inserted and fully secured in the Shoe Mount.



visit [LadderAnchors.com/Install](http://LadderAnchors.com/Install)